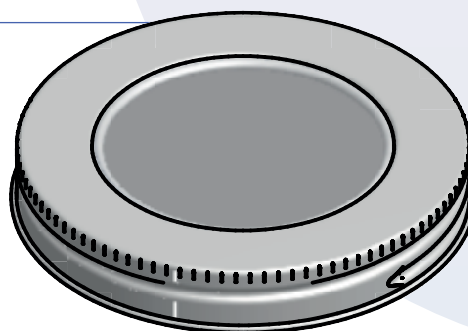
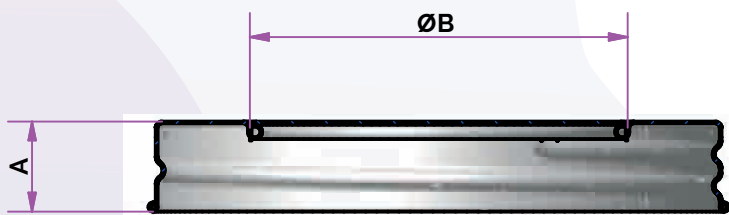
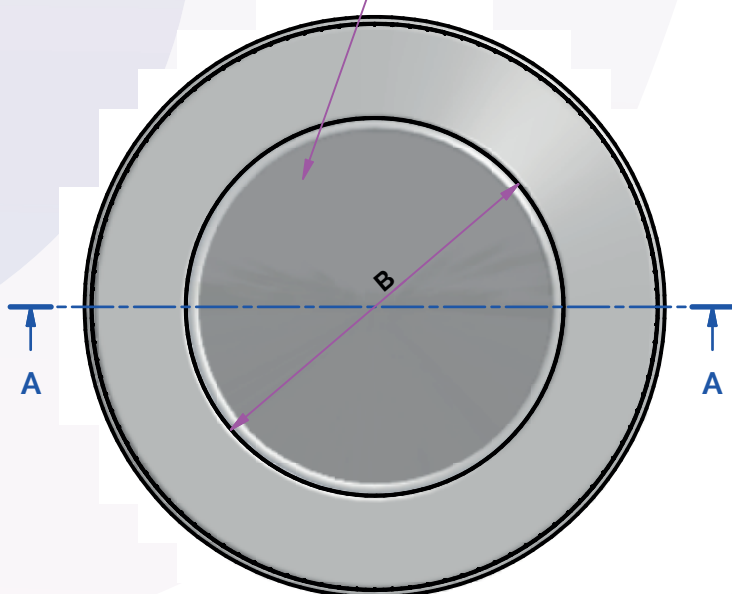


Article

# SERIES 400 *Technical data sheet*



INSERTO TRASPARENTE  
TRANSPARENT INSERT



This drawing  
is Cabaglio's property.  
Its reproduction  
is forbidden by law.



Unit of  
measurement:  
mm

**CO400.070.12**

**CO400.083.14**

**CO400.090.14**

| A    | B  |        |
|------|----|--------|
| 12.4 | 60 | 70/400 |
| 14.2 | 60 | 83/400 |
| 14.3 | 60 | 89/400 |

## Cabaglio Packaging S.r.l.

Via Dell'Industria, 17 | 23844 Sirone (LC) – Italy  
Tel.: +39 0341 4478730 | Fax: +39 0341 494584  
E-Mail: [sales@cabagagliopackaging.it](mailto:sales@cabagagliopackaging.it)  
Web: [www.cabagagliopackaging.it](http://www.cabagagliopackaging.it)  
P.Iva IT02512580131

**Cabaglio**  
PACKAGING S.p.a.