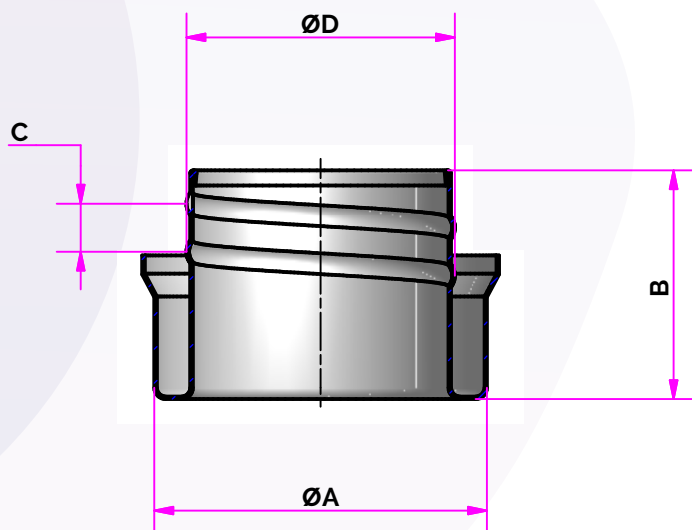
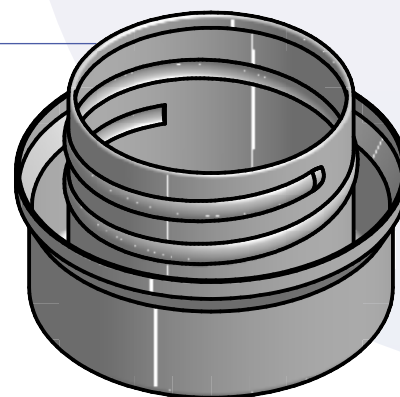


Article

# SERIES 360

Technical data sheet



This drawing is Cabagaglio's property. Its reproduction is forbidden by law.



Unit of measurement:  
mm

<b>AI360.010.V00.00</b>
<b>AI360.012.V00.00</b>
<b>AI360.016.V00.00</b>
<b>AI360.021.V00.00</b>
<b>AI360.027.V00.00</b>
<b>AI360.035.V00.00</b>
<b>AI360.040.V00.00</b>
<b>AI360.052.V00.00</b>

A	B	C	D
16.9	15.5	4	10.5
19.1	19.0	5	13.0
23.0	20.5	5	16.5
28.4	23.5	5	21.3
35.5	27.0	6.35	27.4
44.0	29.0	6.35	35.5
49.8	33.0	6.35	40.4
64.2	33.0	6.35	51.8

## Cabagaglio Packaging S.r.l.

Via Dell'Industria, 17 | 23844 Sirone (LC) – Italy  
Tel.: +39 0341 4478730 | Fax: +39 0341 494584  
E-Mail: [sales@cabagagliopackaging.it](mailto:sales@cabagagliopackaging.it)  
Web: [www.cabagagliopackaging.it](http://www.cabagagliopackaging.it)  
P.Iva IT02512580131

